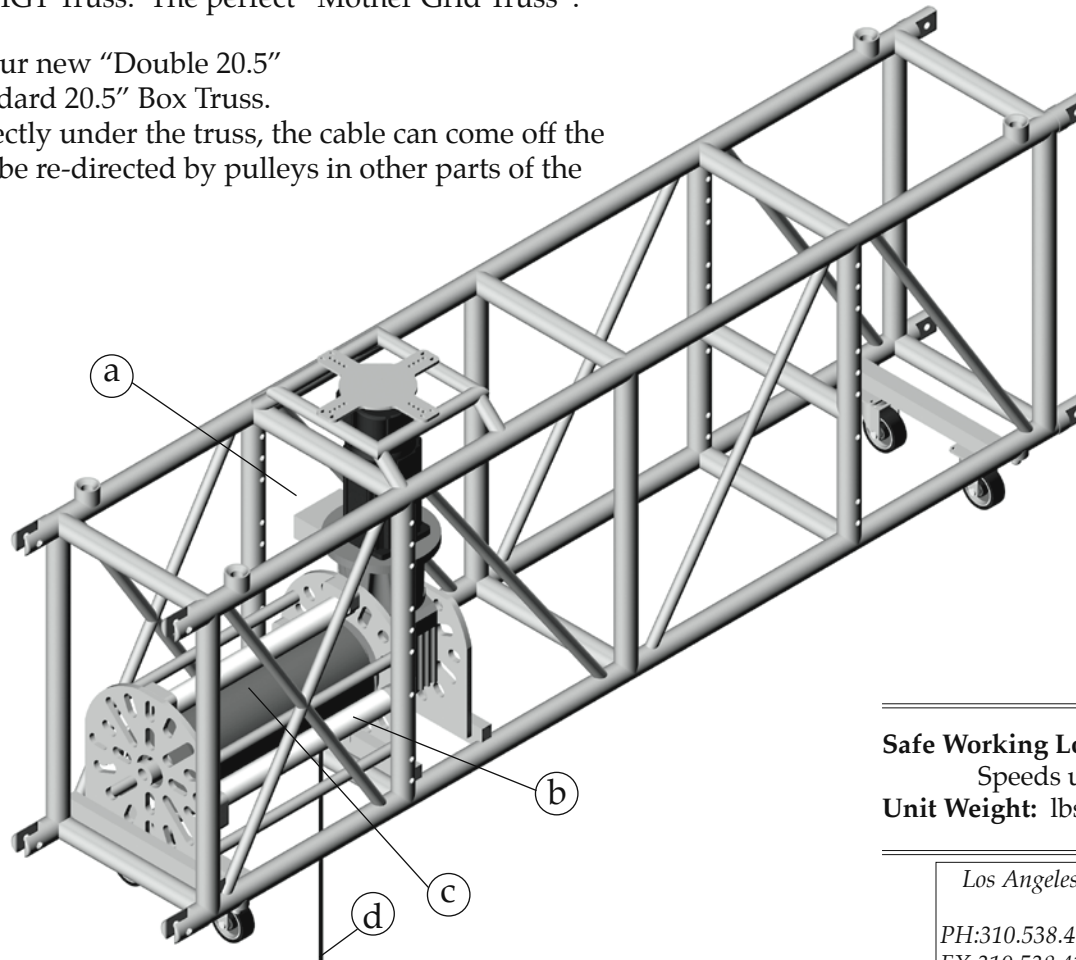


MGT Truss - 2000lb Servo Winch

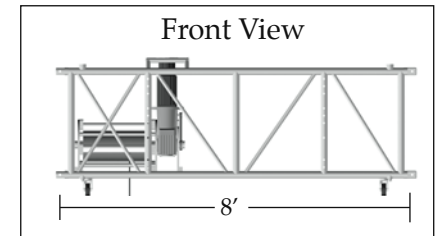
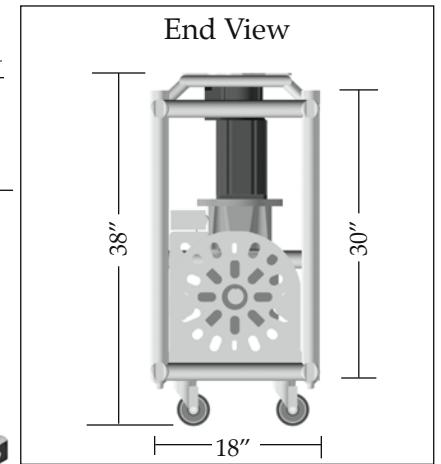
The same capacity as a conventional 1 Ton Motor.
 This is the correct way to do variable speeds and accurate re-positioning of loads.
 Shown mounted into our MGT Truss. The perfect "Mother Grid Truss".

It can also be mounted in our new "Double 20.5" Box Truss or even our Standard 20.5" Box Truss.
 While load is normally directly under the truss, the cable can come off the drum in any direction and be re-directed by pulleys in other parts of the grid.



- a) Limit Switch
- b) Cable Guide Rollers
- c) 8" Diameter Grooved Cable Drum
- d) 5/16" - 7x19 Aircraft Cable 9,800lbs min breaking strain

Part of the
 SGPS SERVO COMPONENT SYSTEM



Safe Working Load: 2,000 lbs with
 Speeds up to ft/min
Unit Weight: lbs

Los Angeles

PH:310.538.4175
 FX:310.538.4180

15823 S. Main Street
 Los Angeles, CA 90248



www.sgsp.net

6585 Escondido St., STE G
 Las Vegas, NV 89119

Las Vegas

PH:702.270.4240
 FX:702.270.4221