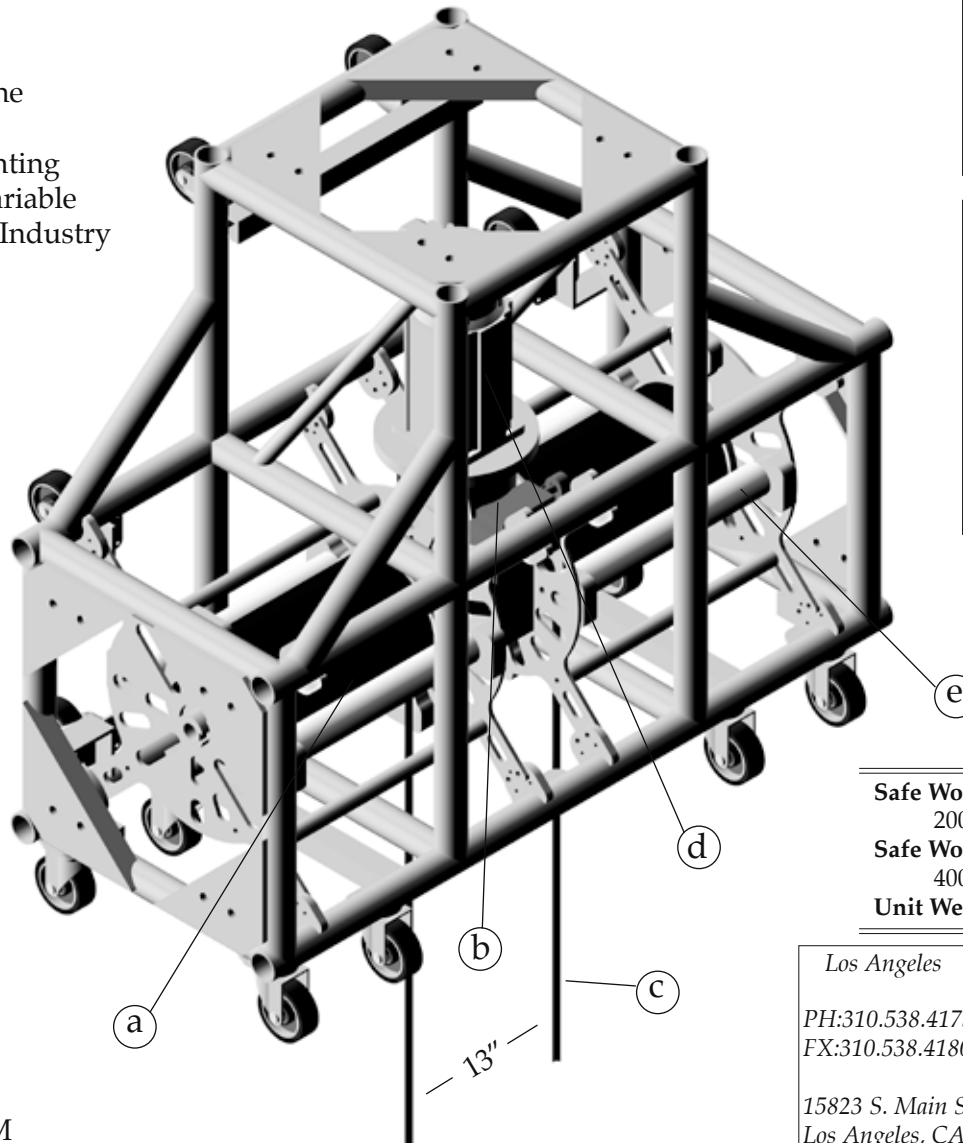


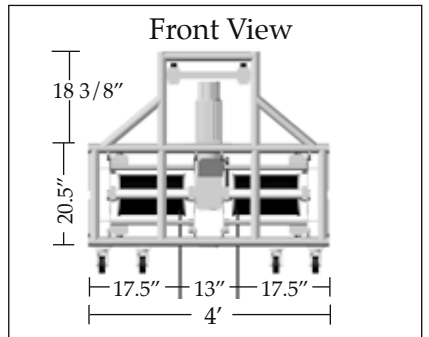
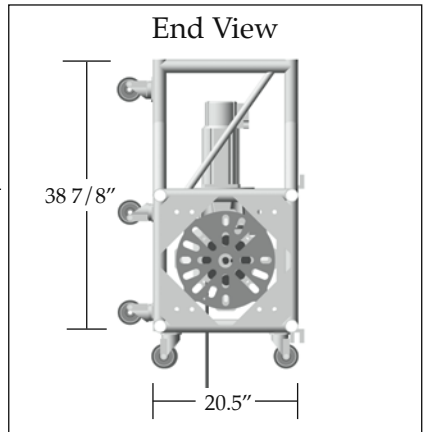
4' Static Double Drum "Yo-Yo"

Provides Two Vertical Lift Points in one compact unit. Designed to safely and accurately move blocks of LED's, Lighting Trusses, or other scenic pieces with variable speeds. Can be connected in grids of Industry Standard 20.5" Box Truss.



- a) 8" Diameter Grooved Cable Drum
- b) Rotating Shaft Limit Switch for up & down Mechanical Safety Limit
- c) 5/16" -7x19 Aircraft Cable - 9,800lbs min breaking strain
- d) Helical Worm Gear Box load cannot back turn the gearbox (acts as Secondary Safety Brake)
- e) Cable Guide

Part of the
SGPS SERVO COMPONENT SYSTEM



Safe Working Load Single Reeved:
2000 lbs with Speeds up to 100ft/min
Safe Working Load Double Reeved:
4000 lbs with Speeds up to 50ft/min
Unit Weight: 485 lbs

Los Angeles  Las Vegas
PH:310.538.4175 FX:310.538.4180 PH:702.270.4240 FX:702.270.4221
www.sgps.net
15823 S. Main Street 2845-A Coleman St. Bldg #1
Los Angeles, CA 90248 North Las Vegas, NV 89032