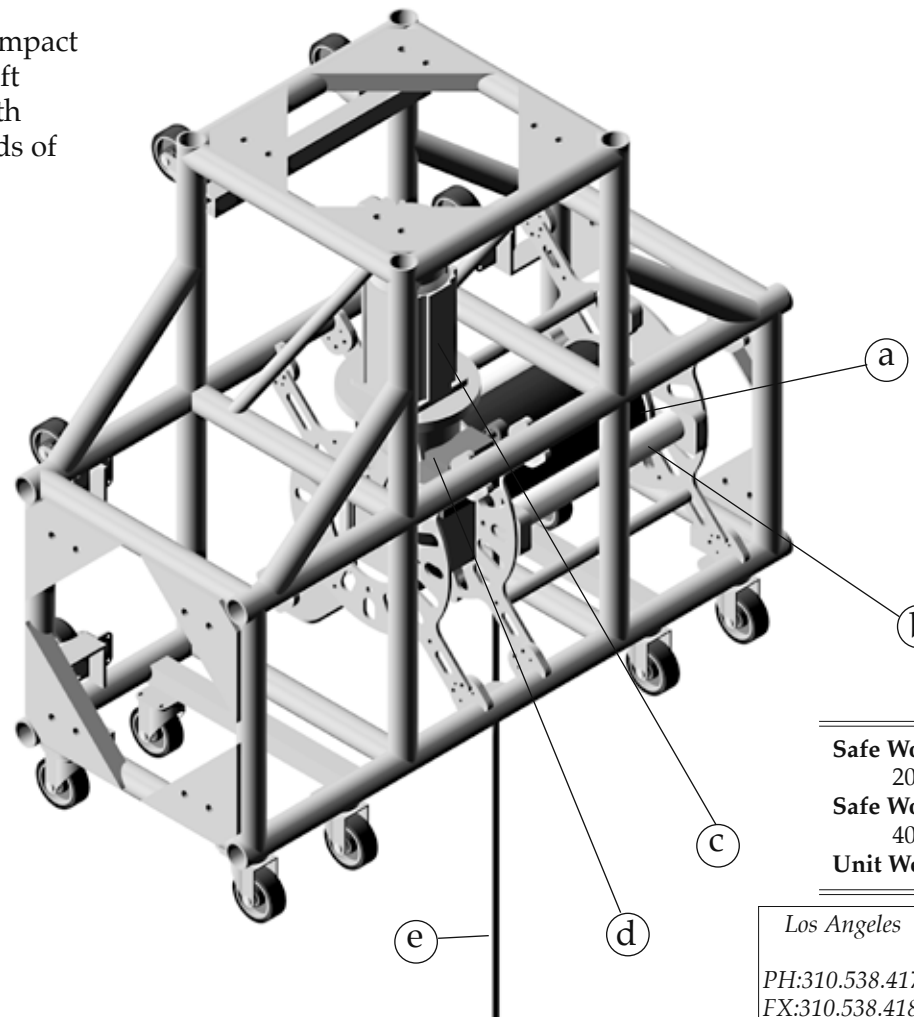


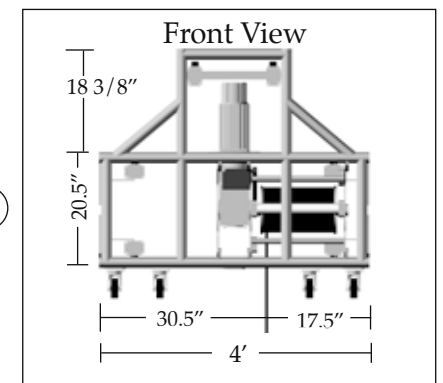
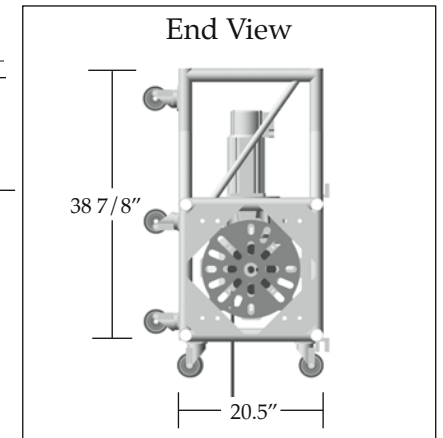
4' Static Single Drum "Yo-Yo"

(Right Hand Version)

Provides 2000lbs of Vertical Lift in one compact unit. Designed to safely and accurately lift lighting trusses or other scenic pieces with variable speeds. Can be connected in grids of Industry Standard 20.5" Box Truss.



- a) 8" Diameter Grooved Cable Drum
- b) Cable Guide
- c) Helical Worm Gear Box
load can not back turn the gear box
(acts as Secondary Safety Brake)
- d) Rotating Shaft Limit Switch
for up & down Mechanical Safety
Limit
- e) 5/16" -7x19 Aircraft Cable
-9,800lbs min breaking strain



Safe Working Load Single Reeved:
2000 lbs with Speeds up to 100ft/min
Safe Working Load Double Reeved:
4000 lbs with Speeds up to 50ft/min
Unit Weight: 400 lbs

Los Angeles

PH:310.538.4175
FX:310.538.4180



www.sgps.net

15823 S. Main Street
Los Angeles, CA 90248

Las Vegas

PH:702.270.4240
FX:702.270.4221

2845-A Coleman St. Bldg #1
North Las Vegas, NV 89032

Part of the
SGPS SERVO COMPONENT SYSTEM