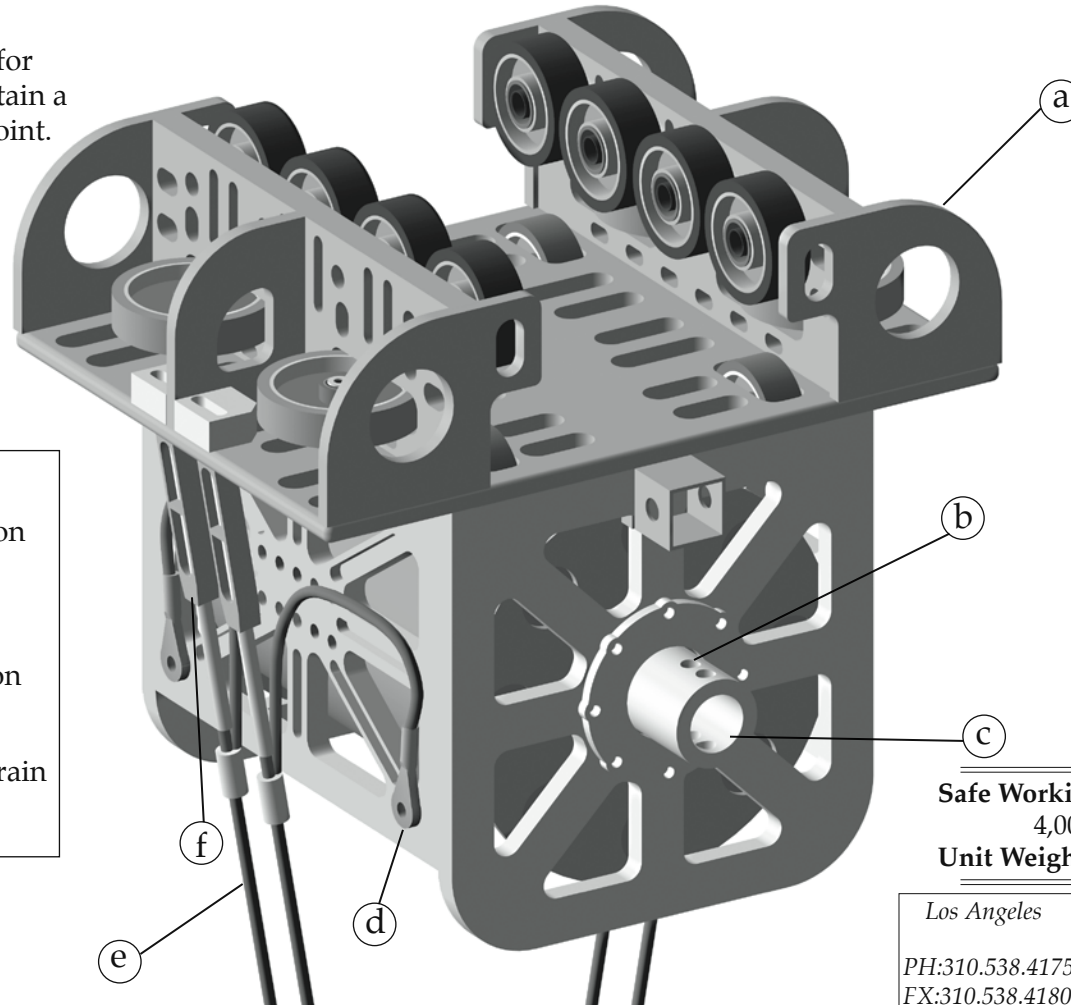
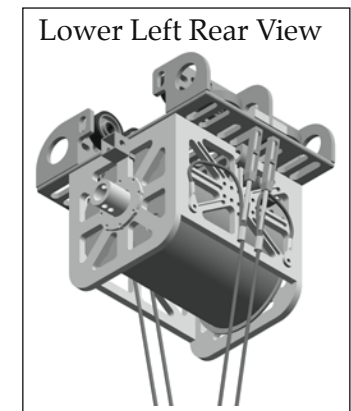
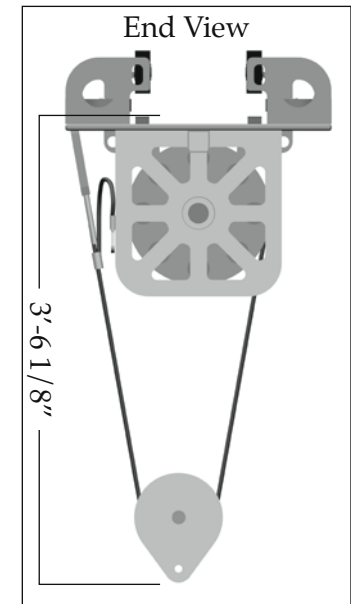


# "F" Type Trolley with 12" Diameter Winch

A double wound cable drum for additional safety and to maintain a centralized non-drift lifting point.



- a) Manual "F" Type Trolley
- b) Quick Pin Type Connection to Universal Joint
- c) 2 3/4" OD Shaft
- d) Back-up Safety Connection
- e) 5/16" - 7x19 Cable  
-9,800lbs min breaking strain
- f) Leveling Turnbuckle



**Safe Working Load:**  
4,000 lbs with Speeds up to ft/min  
**Unit Weight:** 240 lbs

Part of the  
SGPS SERVO COMPONENT SYSTEM

Los Angeles

PH:310.538.4175  
FX:310.538.4180

15823 S. Main Street  
Los Angeles, CA 90248



[www.sgsp.net](http://www.sgsp.net)

Las Vegas

PH:702.270.4240  
FX:702.270.4221

6585 Escondido St., STE G  
Las Vegas, NV 89119