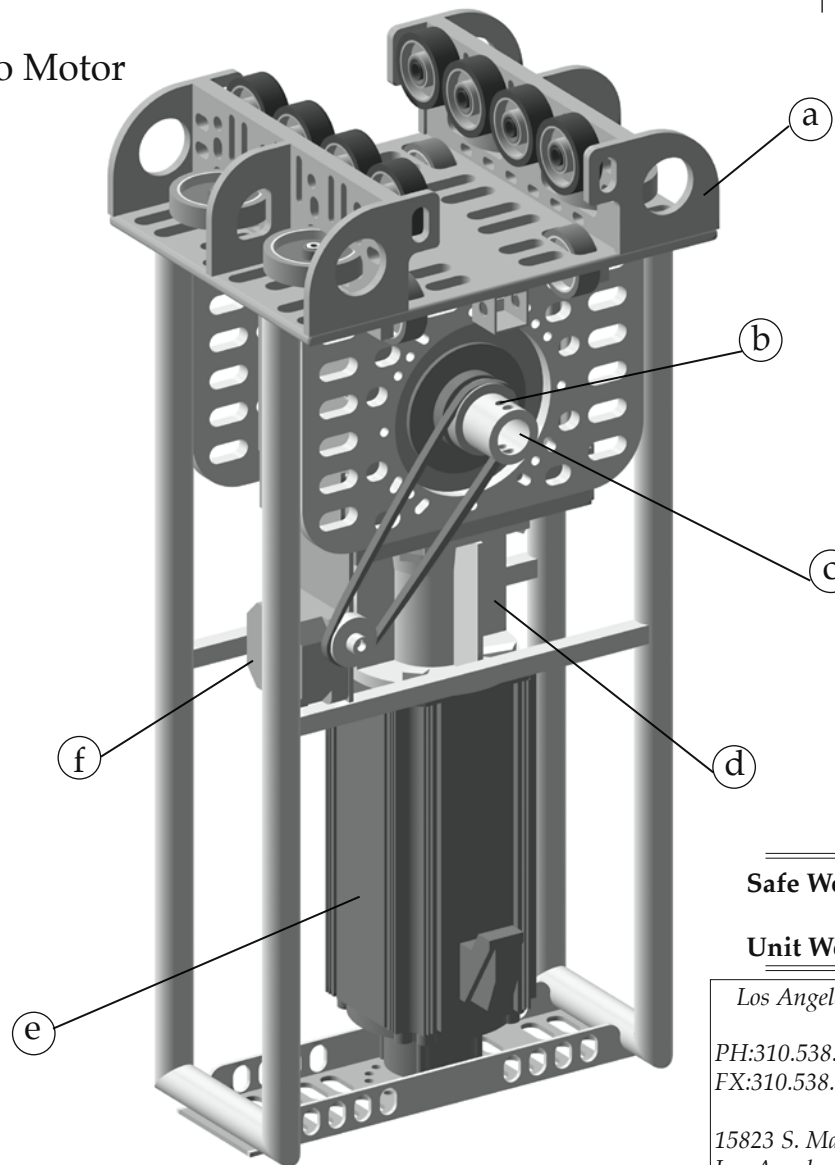


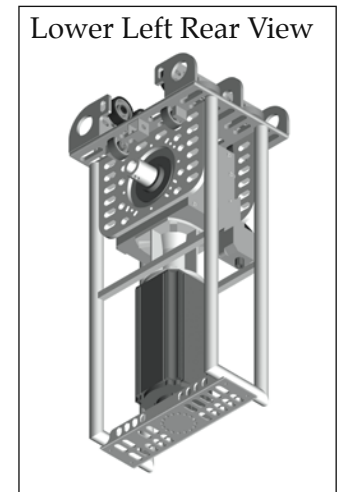
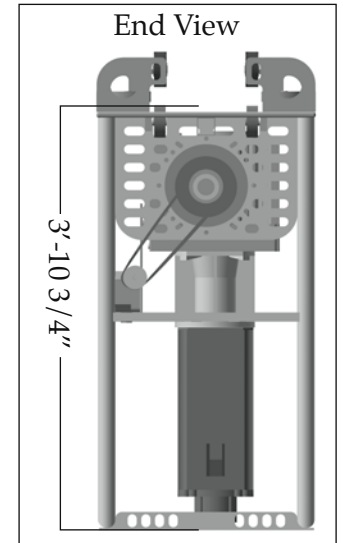
"F" Type Trolley with Vertical Lift Servo Motor

A Tracking Winch Drive Servo Motor

This unit provides the lifting power for two or more trolleying winch units.



- a) Manual "F" Type Trolley
- b) Quick Pin Type Connection to Universal Joint
- c) 2 3/4" OD Shaft
- d) Helical-Worm Gearbox Ratio 100.58:1
- e) Servo Motor MKD 112
- f) Rotary Safety Limit



Safe Working Load:

6,000 lbs with Speeds up to ft/min

Unit Weight: 540 lbs

Part of the
SGPS SERVO COMPONENT SYSTEM

Los Angeles

PH:310.538.4175
FX:310.538.4180



www.sgsp.net

15823 S. Main Street
Los Angeles, CA 90248

Las Vegas

PH:702.270.4240
FX:702.270.4221

6585 Escondido St., STE G
Las Vegas, NV 89119