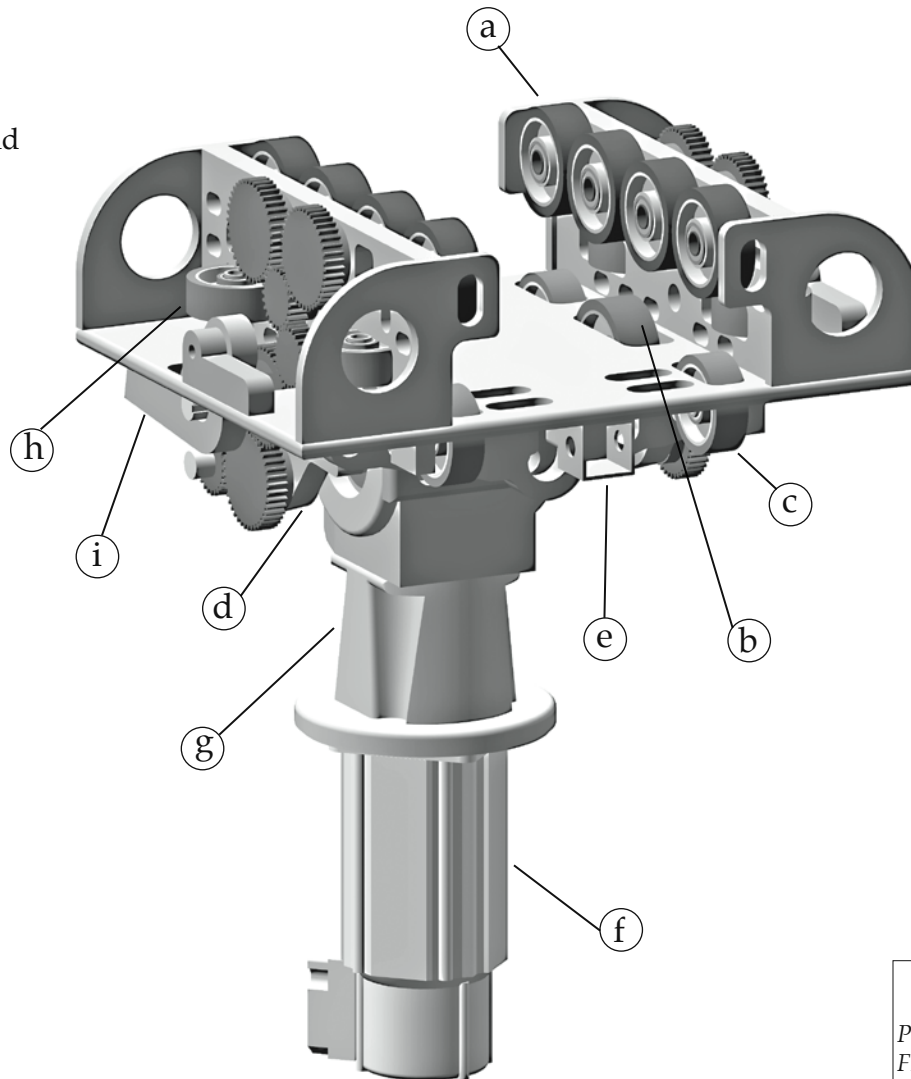


# Heavy Duty "F" Type Tractor

## The HDFT Tractor

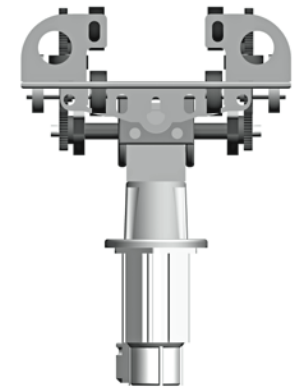
Ideal for tracking LED walls and heavy scenic pieces at medium speeds.



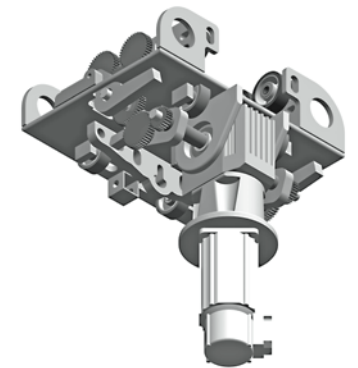
- a) Drive Load Wheel (4x)
- b) Anti-Slip Wheels (2x)
- c) Up Lift Wheels (4x)
- d) Gear Engaging Arm
- e) Link Connector
- f) Servo Motor MKD41
- g) Horizontal Gear Box- 22:1 Ratio
- h) Side Guide Wheels
- i) Anti-Slip Wheel Tensioning Bracket

Part of the  
SGPS SERVO COMPONENT SYSTEM

End View



Lower Right Rear View



Unit Weight: 230 lbs

Los Angeles

PH:310.538.4175  
FX:310.538.4180

15823 S. Main Street  
Los Angeles, CA 90248



[www.sgsp.net](http://www.sgsp.net)

Las Vegas

PH:702.270.4240  
FX:702.270.4221

6585 Escondido St., STE G  
Las Vegas, NV 89119