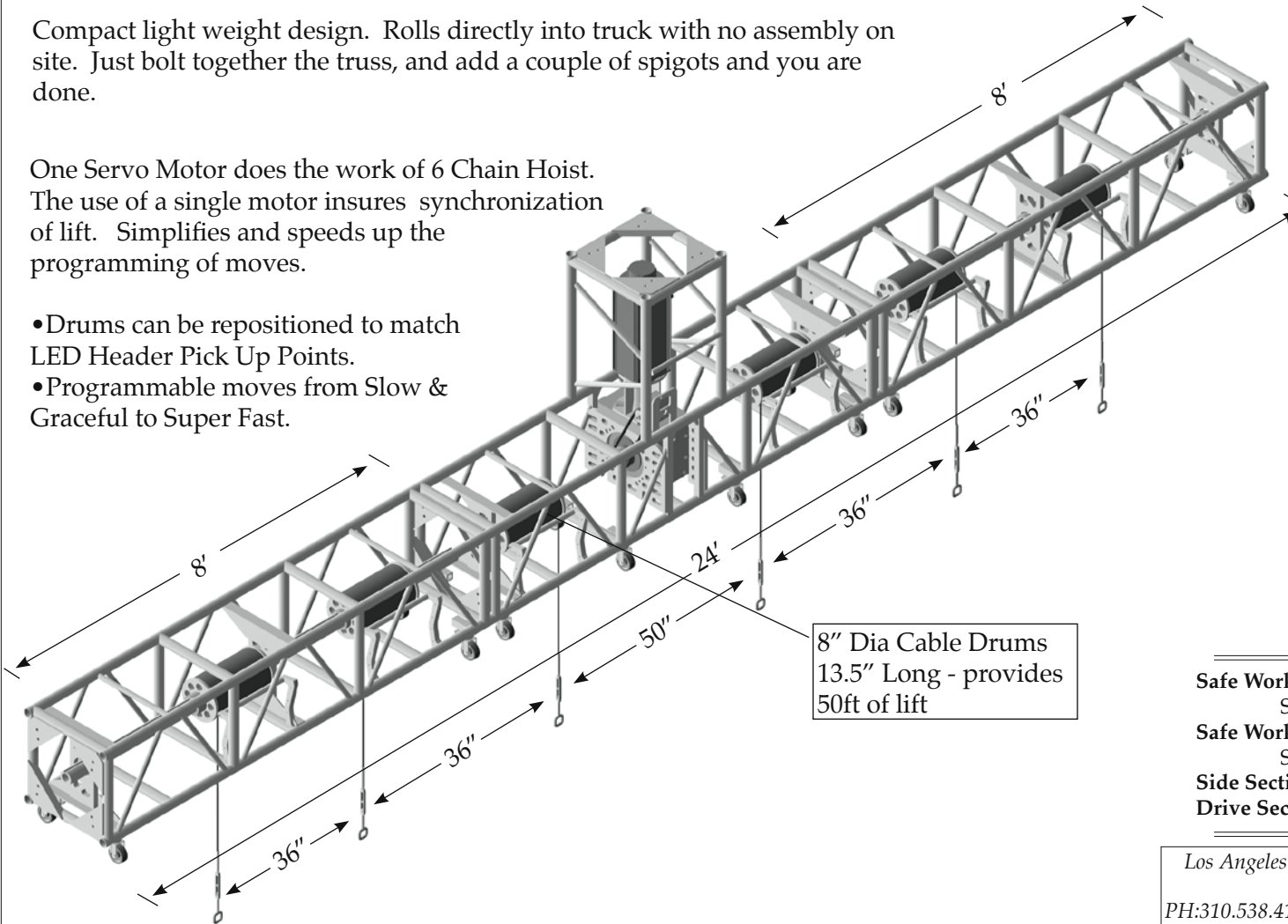


# LED Cable Drum Array System

Compact light weight design. Rolls directly into truck with no assembly on site. Just bolt together the truss, and add a couple of spigots and you are done.

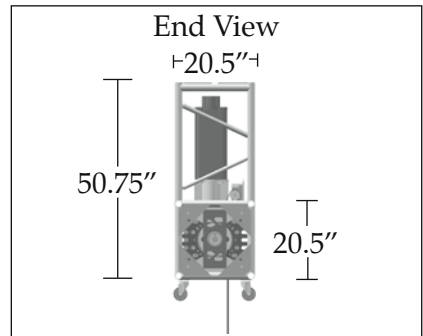
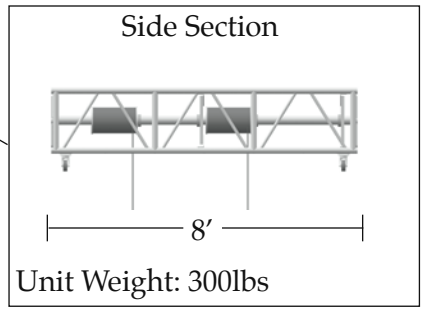
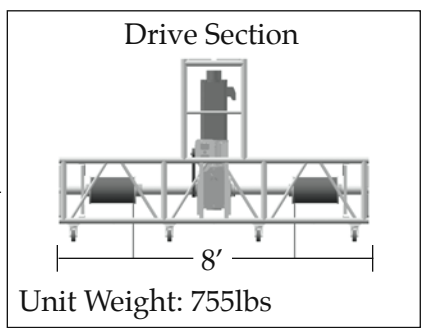
One Servo Motor does the work of 6 Chain Hoist. The use of a single motor insures synchronization of lift. Simplifies and speeds up the programming of moves.

- Drums can be repositioned to match LED Header Pick Up Points.
- Programmable moves from Slow & Graceful to Super Fast.



8" Dia Cable Drums  
13.5" Long - provides  
50ft of lift

As used on the Mariah Carey Tour  
Part of the  
SGPS SERVO COMPONENT SYSTEM



**Safe Working Load:** Single Reeved- 4,000 lbs with  
Speeds up to 60ft/min  
**Safe Working Load:** Double Reeved- 8,000lbs with  
Speeds up to 30ft/min  
**Side Section Unit Weight:** 300 lbs  
**Drive Section Unit Weight:** 755lbs

Los Angeles  Las Vegas

PH:310.538.4175  
FX:310.538.4180

PH:702.270.4240  
FX:702.270.4221

[www.sgsp.net](http://www.sgsp.net)

15823 S. Main Street  
Los Angeles, CA 90248

6585 Escondido St., STE G  
Las Vegas, NV 89119