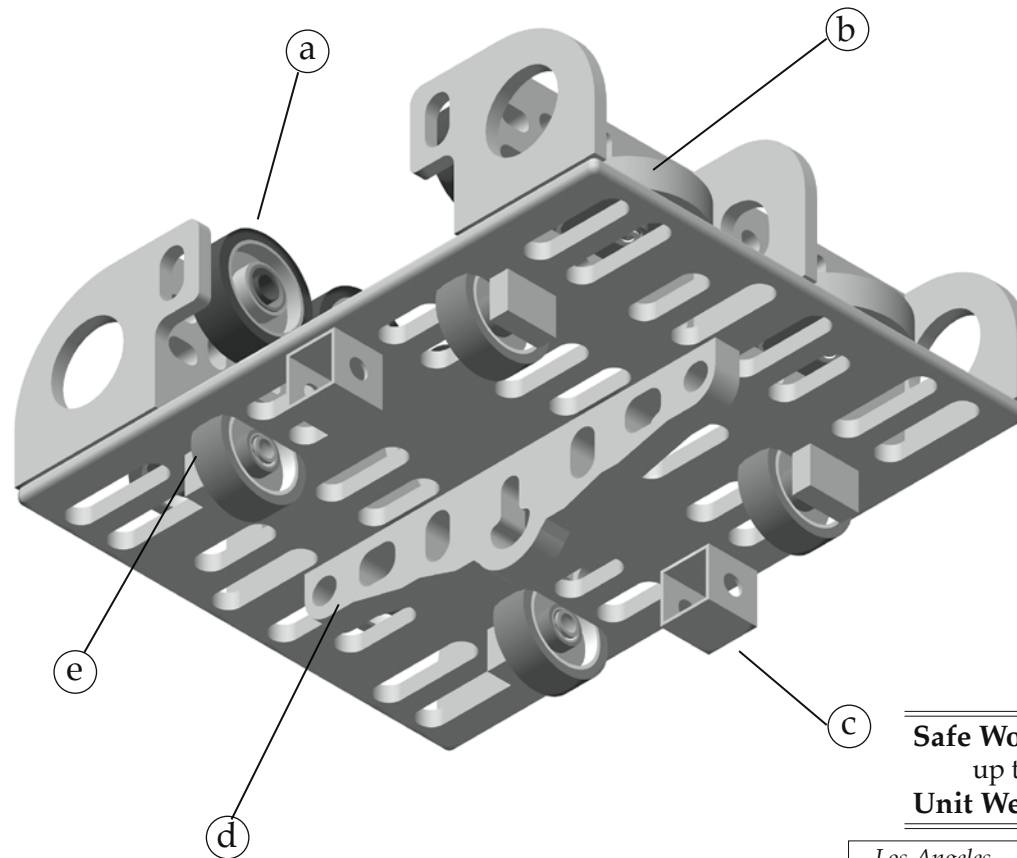
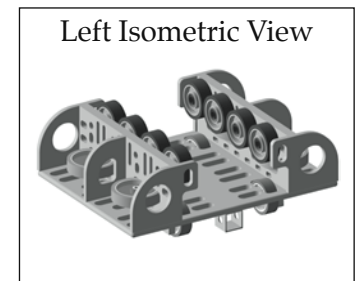
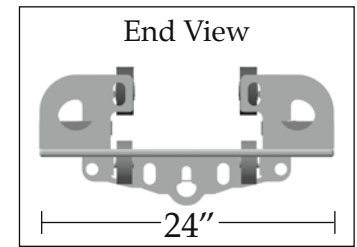


Manual "F" Type Trolley

Our Standard "F" Type Manual Trolley is designed to work on all of our KB Effects Track Truss.



- a) Load Wheels
- b) Side Guide Wheels
- c) Link Sockets for connecting to other trolleys
- d) Hanging Bracket (1/2, 1, or 2 Ton Motor hooks straight in)
- e) Uplift Wheels

Safe Working Load: 400 lbs with Speeds up to ft/min
Unit Weight: lbs

Part of the
SGPS SERVO COMPONENT SYSTEM

Los Angeles

PH:310.538.4175
FX:310.538.4180



www.sgsp.net

15823 S. Main Street
Los Angeles, CA 90248

Las Vegas

PH:702.270.4240
FX:702.270.4221

6585 Escondido St., STE G
Las Vegas, NV 89119