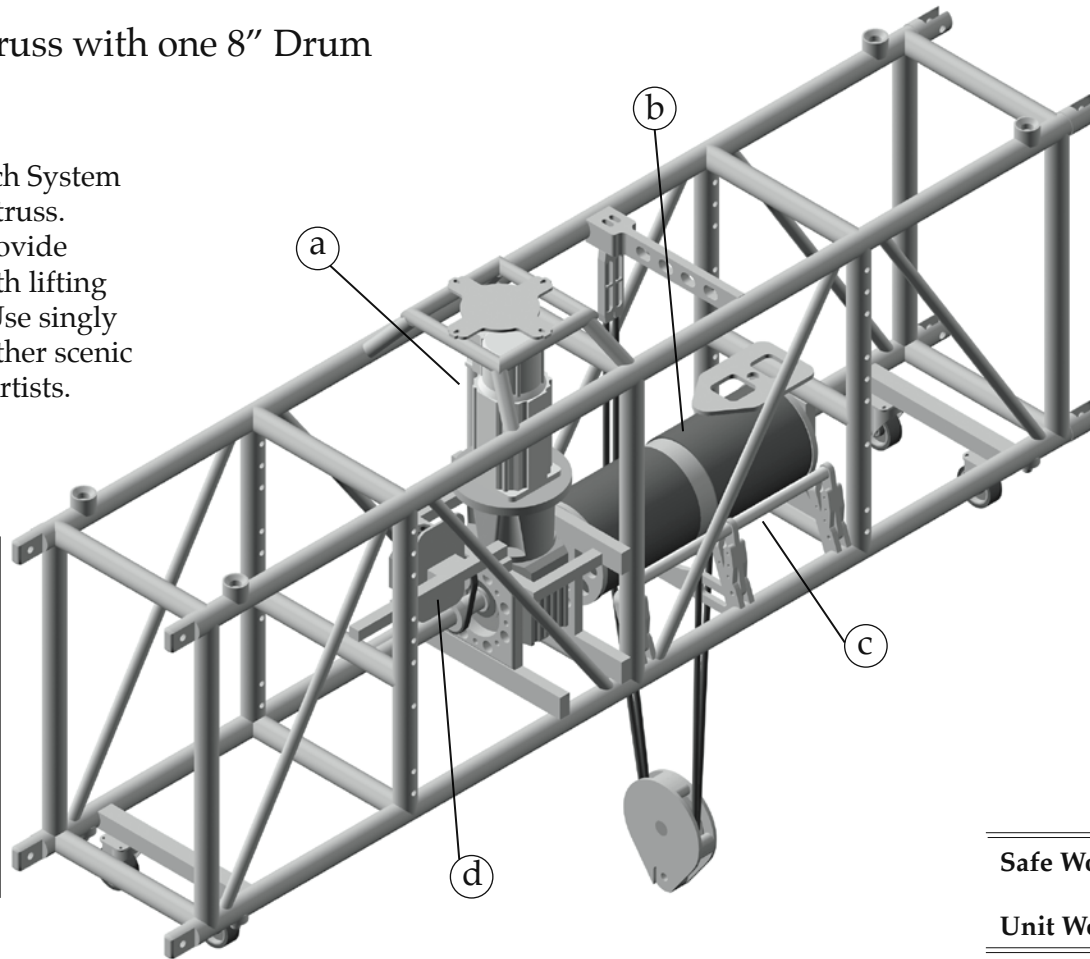


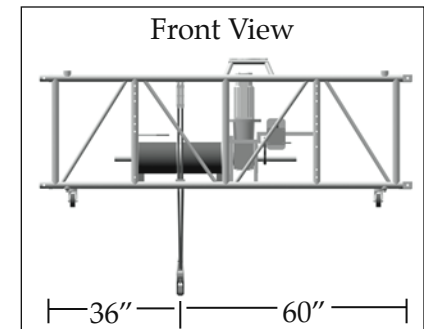
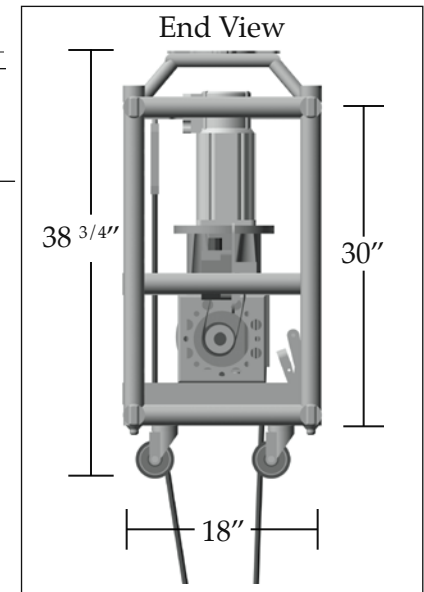
Motor Grid Servo Truss

MGT Servo Truss with one 8" Drum

A Static Vertical Lift Winch System efficiently packaged in a truss. Designed primarily to provide variable speed and smooth lifting with accurate position. Use singly or in groups to fly cars, other scenic elements, platforms, or artists.



- a) MKD90 Servo Motor
- b) 8" Diameter Double Wound Drum
- c) Spring Loaded Tension Bar
- d) Rotary Safe Limit Switch



Safe Working Load:

2,000 lbs with Speeds up to 45ft/min

Unit Weight: 325 lbs

Los Angeles

PH:310.538.4175
FX:310.538.4180



www.sgsp.net

15823 S. Main Street
Los Angeles, CA 90248

Las Vegas

PH:702.270.4240
FX:702.270.4221

6585 Escondido St., STE G
Las Vegas, NV 89119

Part of the

SGPS SERVO COMPONENT SYSTEM

NOTE: Electrical power Requirements

This equipment requires 3 phase 480 volts to operate.
900 volt DC is generated at the servo motor.