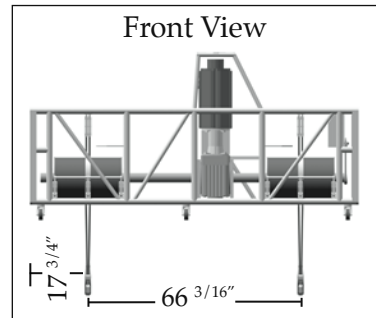
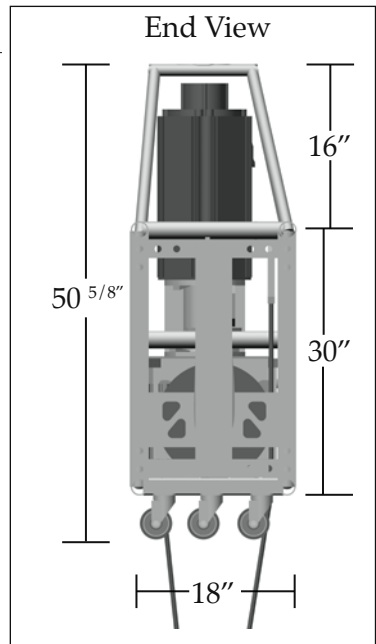
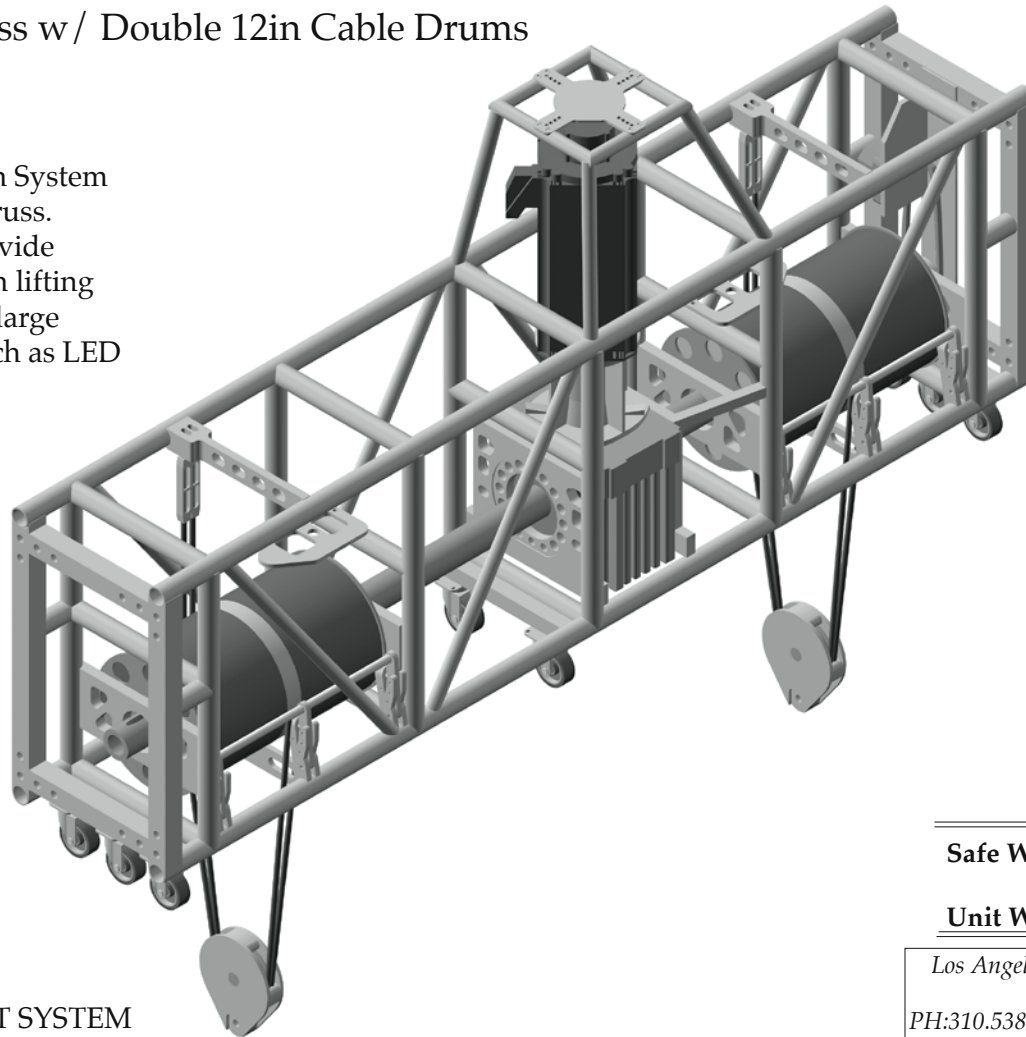


# The Servo Truss

## 8ft 6in Servo Truss w/ Double 12in Cable Drums

A Static Vertical Lift Winch System efficiently packaged in a truss. Designed primarily to provide variable speed and smooth lifting with accurate position on large heavy scenic elements, such as LED walls.



### Safe Working Load:

6,000 lbs with Speeds up to 45ft / min

### Unit Weight: 950 lbs

Los Angeles

PH:310.538.4175

FX:310.538.4180



[www.sgsp.net](http://www.sgsp.net)

15823 S. Main Street  
Los Angeles, CA 90248

Las Vegas

PH:702.270.4240

FX:702.270.4221

6585 Escondido St., STE G  
Las Vegas, NV 89119

Part of the

SGPS SERVO COMPONENT SYSTEM

NOTE: Electrical power Requirements

This equipment requires 3 phase 480 volts to operate.  
900 volt DC is generated at the servo motor.